

10/100BASE-T RJ45 Single-port(1x1) Tab-UP connector, With LEDs

RJM-0SH071-0188A0-L-4G

25.27 x 16.20 x 13.50mm

Features :

- . Complies with IEEE standards and all 10/100 Ethernet specifications including 350uH with 8mA DC bias
- . Minimum interwinding breakdown voltage of 1500Vrms
- . Intergrated Mag-modular design provides higher reliability and conserves minimizing PCB space
- . Different color of LEDs option available

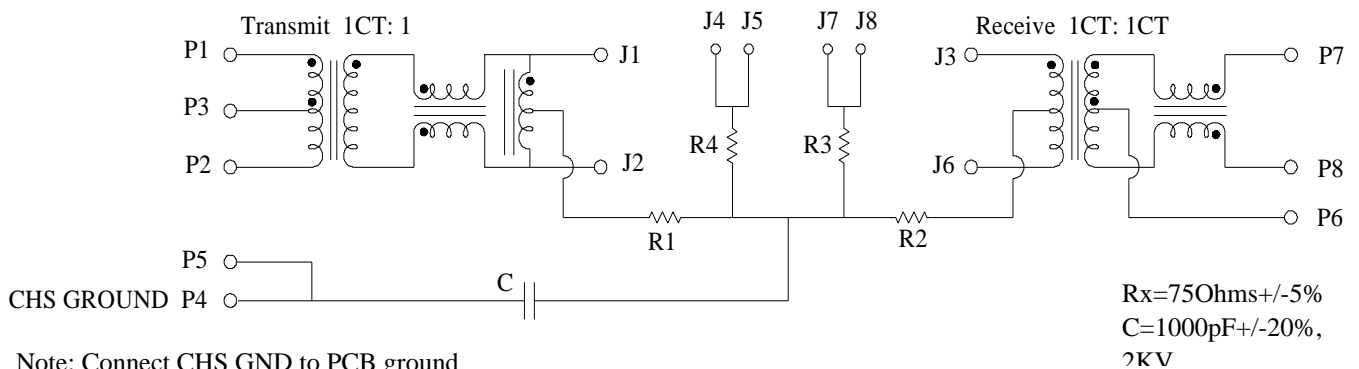
Material:

- . Contact: Phosphor Bronze, 6u-inch gold flashed unless specified
- . Different metal shielding (nickel plated copper alloy) type options available
- . Housing: Thermoplastic PA66+30%GF UL94V-0 rated
- . Operating temperature: 0°C to +70°C
- . Storage temperature: -40°C to +85°C
- . Lead-free process, RoHS compliant
- . Cross reference to Pulse J1026F01PNL

Electrical Specification @25°C

Insertion Loss	Return Loss				CMR		Crosstalk		
dB Max	dB Min				dB Min		dB Min		
1~65MHz	1~10MHz	10~30MHz	30~60MHz	60~80MHz	1~50MHz	50~150MHz	1~30MHz	30~60MHz	60~100MHz
-1.0	-20	-16	-12	-10	-30	-20	-40	-35	-30

Schematic



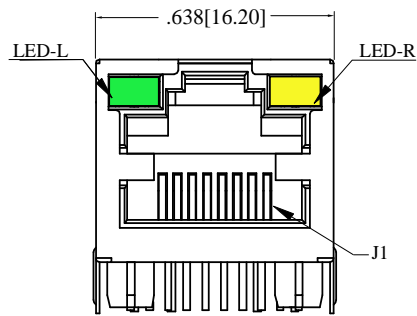
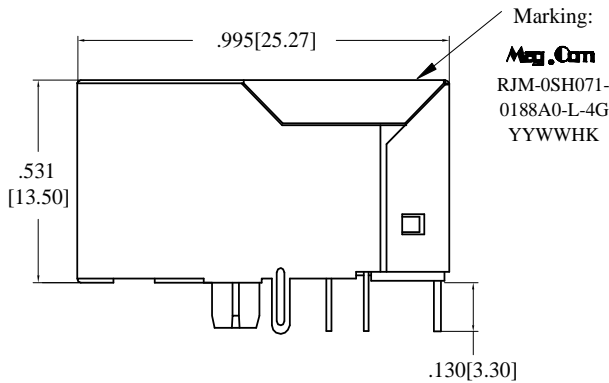
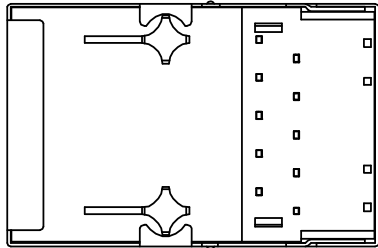
Scale: Do not scale DWG	Unspecified tolerance		Title	RJ-45 CONNECTOR
Unit :	.x +/-	.xx +/-	Manufacture P/N	RJM-0SH071-0188A0-L-4G
DWG BY: QFOU	.xxx +/-		Part NO.	RJM-0SH071-0188A0-L-4G
Appro. BY: L.K.Xu			DWG NO.	E080992
Effective Date : Nov-01-2013			Sheet 2 of 3	REV .01

10/100BASE-T RJ45 Single-port(1x1) Tab-UP connector, With LEDs

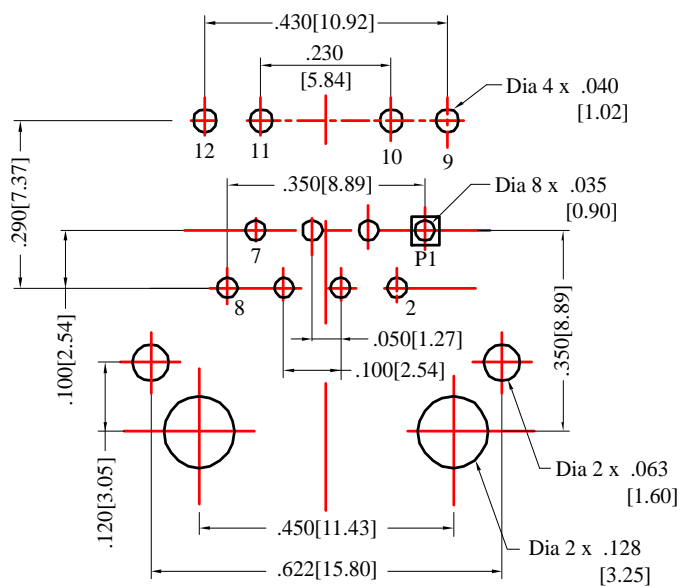
RJM-0SH071-0188A0-L-4G

25.27 x 16.20 x 13.50mm

Mechanical



Unit : inch/mm
 Tolerances : ± .010/0.25



Suggested PCB Layout(Component Side)
 PCB Layout dimension to be +/- .003[0.08]